

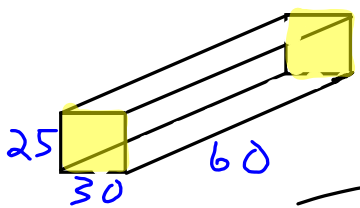
Pg. 249 N. 13, 14, 15

13. 248 cm^2

14. 8100 cm^2

15. 615.4 cm^2

Front + Back



25
30 60

$$A_{FB} = bh = 30 \cdot 25$$

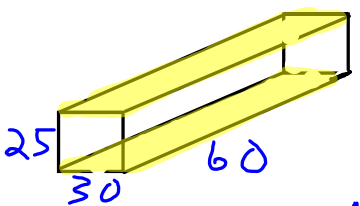
Sides = 750

$$A_{\text{sides}} = b \cdot h$$

$$= 25 \cdot 60$$

$$= 1500$$

Top + Bottom



25
30 60

$$A_T = b \cdot h$$

$$\therefore 60 \cdot 30$$

$$\therefore 1800$$

$$A_{SA} = F + B + S + S + T + B$$

$$= 750 + 750 + 1500 + 1500 + 1800 + 1800 = 8100 \text{ cm}^2$$

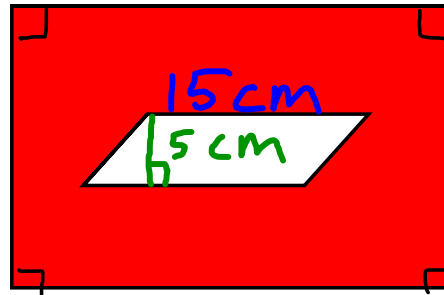
3600	
1500	
3000	
8100	

I LOVE Gman *always*

Area of Shaded Regions

April 25, 2007

What is the Area for the Red Part.



$$A_{SR} = A_R - A_P$$

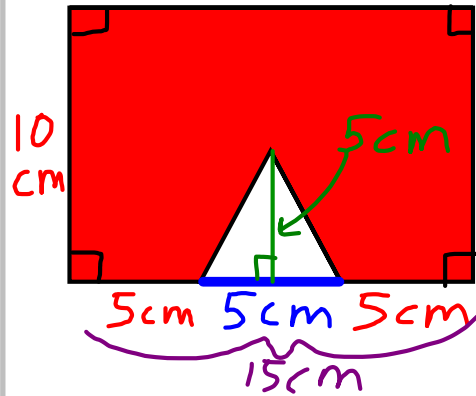
28 cm

$$\begin{aligned} A_R &= b \cdot h \\ &= 28 \text{ cm} \cdot 15 \text{ cm} \\ &= 420 \text{ cm}^2 \end{aligned}$$

$$\begin{array}{r} 28 \\ \cdot 15 \\ \hline 140 \\ 280 \\ \hline 420 \end{array}$$

$$\begin{aligned} A_P &= b \cdot h \\ &= 15 \text{ cm} \cdot 5 \text{ cm} \\ &= 75 \text{ cm}^2 \end{aligned}$$

$$\begin{aligned} A_{SR} &= A_R - A_P \\ &= 420 \text{ cm}^2 - 75 \text{ cm}^2 \\ A_{SR} &= 345 \text{ cm}^2 \end{aligned}$$



$$A_{SR} = \underline{A_R} - \underline{A_T}$$

$$= \underline{150\text{cm}^2} - \underline{12.5\text{cm}^2}$$

$$= \underline{\underline{137.5\text{cm}^2}}$$

$$A_R = b \cdot h$$

$$= \underline{15\text{cm}} \cdot \underline{10\text{cm}}$$

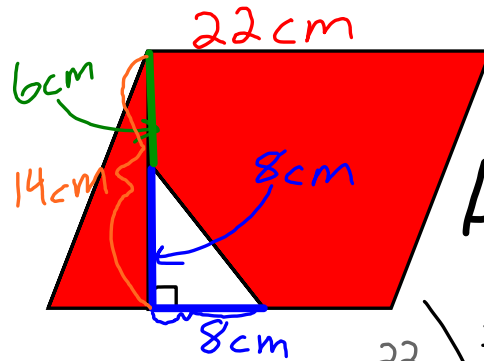
$$= \underline{\underline{150\text{cm}^2}}$$

$$A_T = \frac{1}{2}(b \cdot h)$$

$$= \frac{1}{2}(\underline{5\text{cm}} \cdot \underline{5\text{cm}})$$

$$= \frac{1}{2}(\underline{25\text{cm}^2})$$

$$= \underline{\underline{12.5\text{cm}^2}}$$



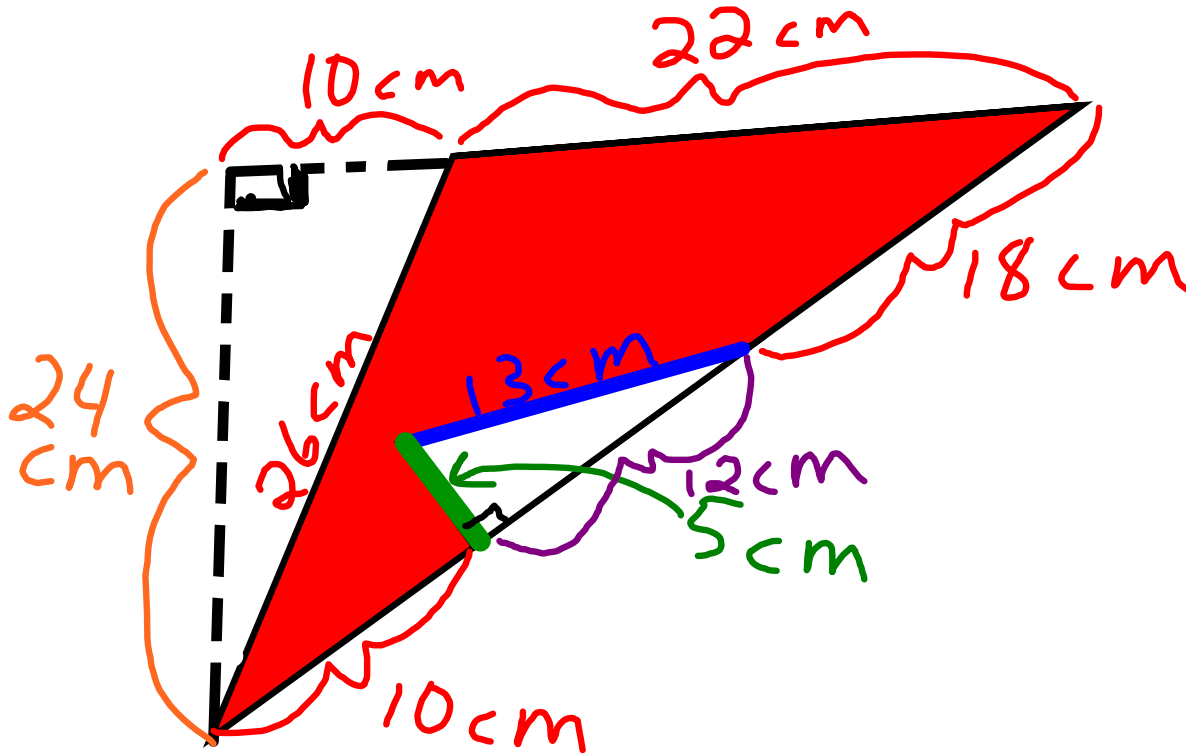
$$\begin{aligned}
 A_P &= b \cdot h \\
 &= 22 \text{ cm} \cdot 14 \text{ cm} \\
 &= 308 \text{ cm}^2
 \end{aligned}$$

$$\begin{aligned}
 A_T &= \frac{1}{2} (b \cdot h) \\
 &= \frac{1}{2} (8 \text{ cm} \cdot 8 \text{ cm}) \\
 &= \frac{1}{2} (64 \text{ cm}^2) \\
 &= 32 \text{ cm}^2
 \end{aligned}$$

$$\begin{aligned}
 A_{SR} &= A_P - A_T \\
 &= 308 \text{ cm}^2 - 32 \text{ cm}^2 \\
 &= 276 \text{ cm}^2
 \end{aligned}$$

O.T.L.

for a
grade



Please on
a Seperate
Sheet to
turn in
for a
grade!