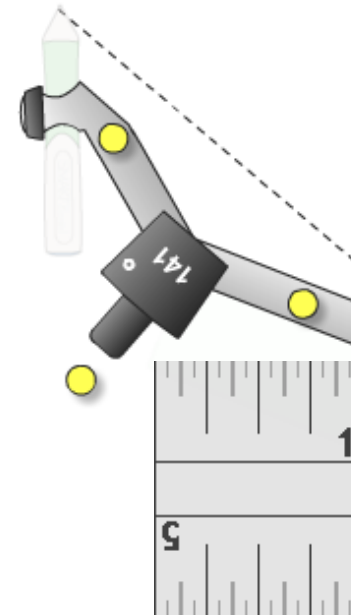
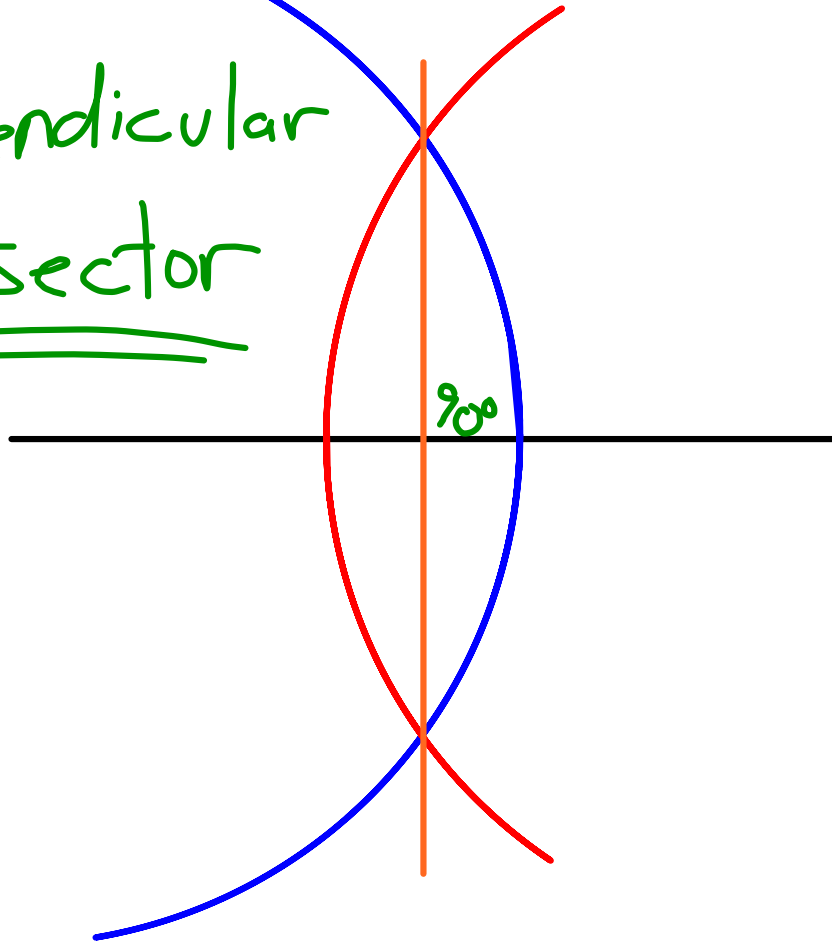


line Segment

Jan. 30, 2007

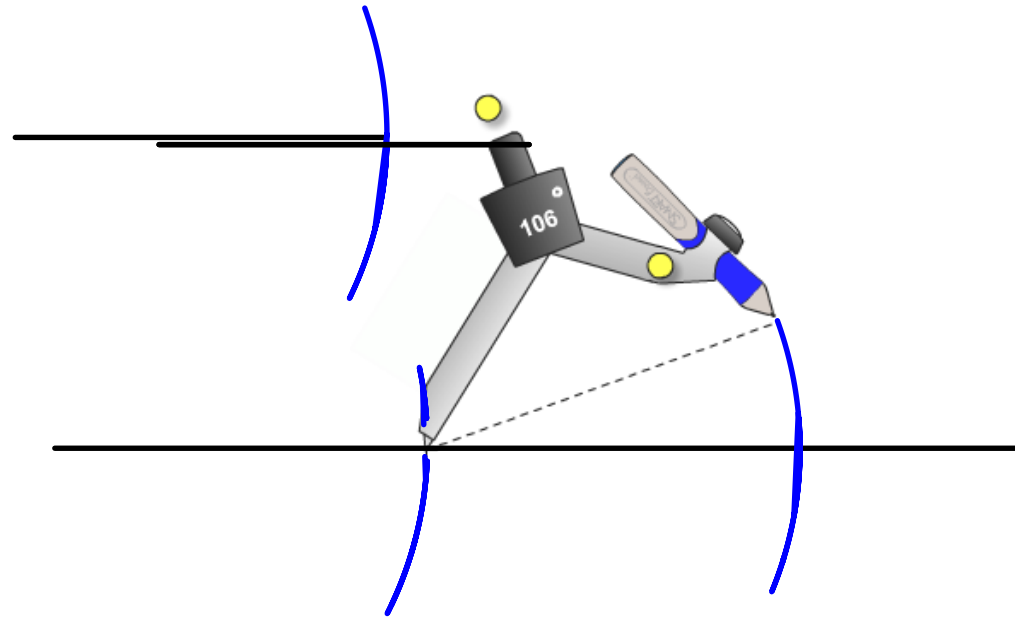
Constructions : Bisector

Perpendicular  
Bisector



Compass swf

# Re-Construct a Congruent line Segment



see swf

O.T.L.

in your notes

Create a 2<sup>nd</sup> Perpendicular  
Bisector

Create a line Segment,  
then a second line segment  
3 times as long as the first